

Plug-in display, type MBD 1000 for pressure/temperature transmitters with output 4-20 mA

Introduction



A microprocessor controlled plug-in display that can be universally applied to all MBS, AKS and MBT transmitters with a 4-20 mA output and DIN 43650 plug.

The MBD 1000 is simply inserted between the transmitter and its connector by means of the integral DIN cubic plug adaptor.

Measurement range, decimal point and filtering can be comfortably adjusted with 3 push-button keys after removal of the front cover.

The display provides a simple and effective solution for local monitoring of pressure and temperature.

Features

- Polarity protected
- No auxiliary energy source required
- Can be tilted to any position
- High accuracy and minimal temperature drift
- Easy installation
- Instant monitoring of transmitter
- CE approved

Technical data

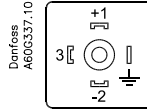
Input signal	4 - 20 mA (2-wire)
Max. allowed input current	40 mA
Reverse voltage protection	polarized installation
Voltage drop	approx. 3 V
Display	10 mm high LCD-display
Display range	start and end value freely programmable
Maximum display value	9999
Minimum display value	-1999
Decimal point	any position
Measuring accuracy	0.2% ± 1 digit
Temperature drift	100 ppm / °C
Measuring interval	approx. 3 measurements / sec.
Filtering	selectable in 3 stages
Nominal temperature	25°C
Ambient temperature	0 to 50°C
Humidity	0 to 80% RH (non condensing)
Electromagnetic compatibility additional error	according to EN61000-6-2 and EN61000-6-3 < 1%
Housing	ABS. Front screen made of polycarbonate
Dimensions	48.5 x 48.5 x 35.5 mm (L x W x D)
Connection	DIN 43650 adaptor
IP rating	IP65

Ordering

Type	Code no.
MBD 1000	060G2850

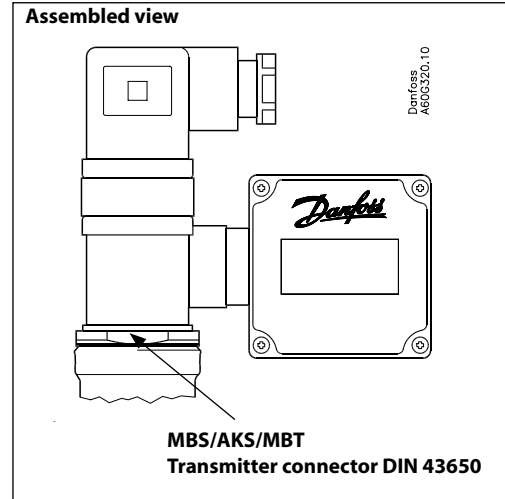
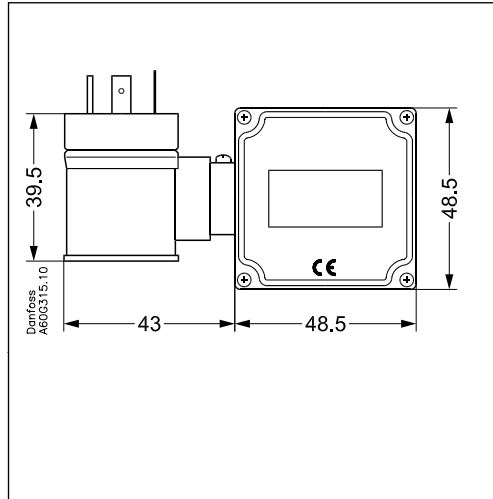
Electrical connection

Pin assignment of 4-pin adaptor plug according to DIN 43650



Pin	
1	Supply +
2	Supply -
3	NC
⏏	Connection to transmitter housing

Dimensions



Danfoss can accept no responsibility for possible errors in catalogues, brochures and other printed material. Danfoss reserves the right to alter its products without notice. This also applies to products already on order provided that such alterations can be made without subsequential changes being necessary in specifications already agreed. All trademarks in this material are property of the respective companies. Danfoss and the Danfoss logotype are trademarks of Danfoss A/S. All rights reserved.